

HDMI Alt Mode on USB Type-C Protocol Test tool

UTCHAM-100

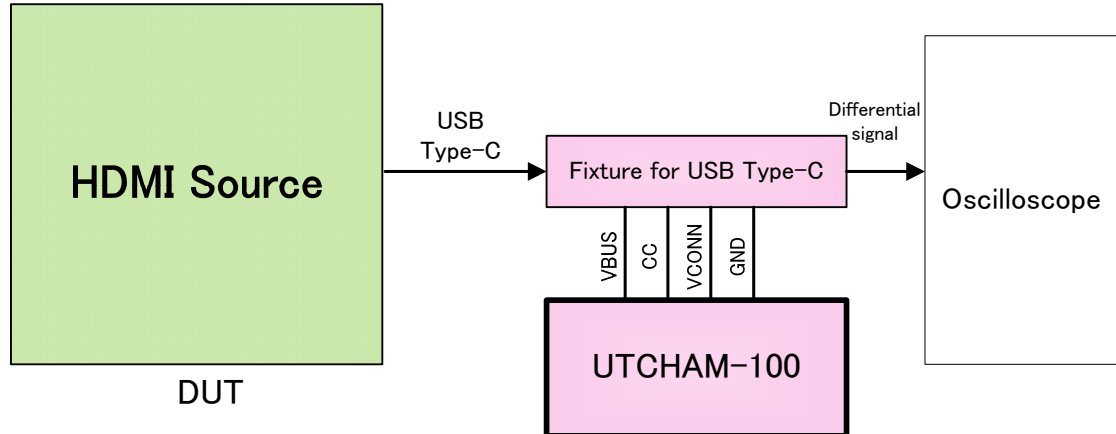
 (USB Type-C HDMI Alt Mode Source Control Board)

■ Overview

The UTCHAM-100 is the High-Definition Multimedia Interface (HDMI) Alt Mode on USB Type-C Analog Test tool for USB Type-C of HDMI Source. This tool is used for high-speed differential line Analog test.



■ Block Diagram and Connection Example



■ Top side of UTCHAM-100

Top side of UTCHAM-100 have VBUS, CC, VCONN , GND pins for connection by fixture.



This jumper shall set 1-2 pins

■ About Input / Output description

Pin	Description
VBUS	VBUS for USB Type-C power signal
CC	CC for USB Type-C communication signal
VCONN	VCONN for USB Type-C connector power signal
GND	GND for Ground signal