

## HDMI Alt Mode on USB Type-C Protocol Test tool

# UTCHAM-200

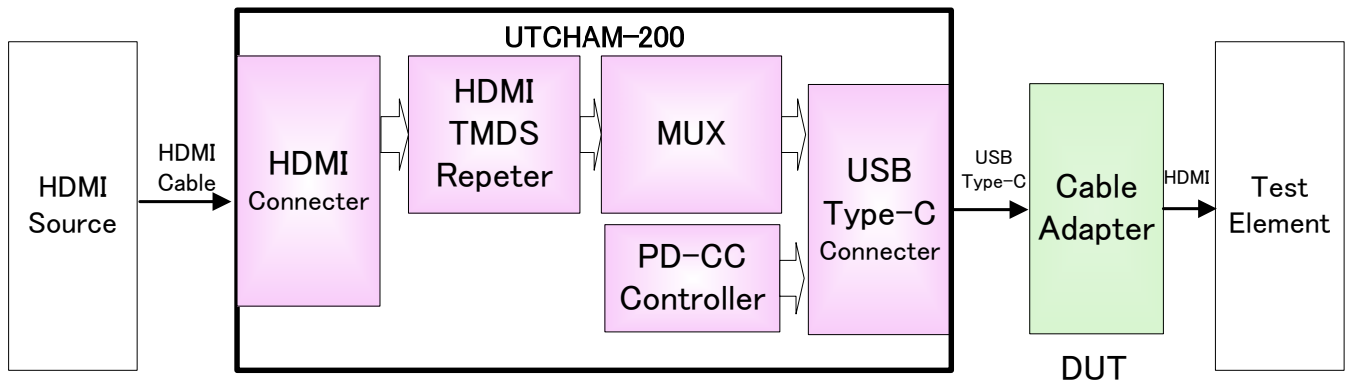
 (USB Type-C HDMI Alt Mode Cable Adapter Control Board)

### ■ Overview

The UTCHAM-200 is the High-Definition Multimedia Interface (HDMI) Alt Mode on USB Type-C Protocol Test tool for Cable Adapter. This tool is used for DDC, HPD, +5V and HDCP protocol test.

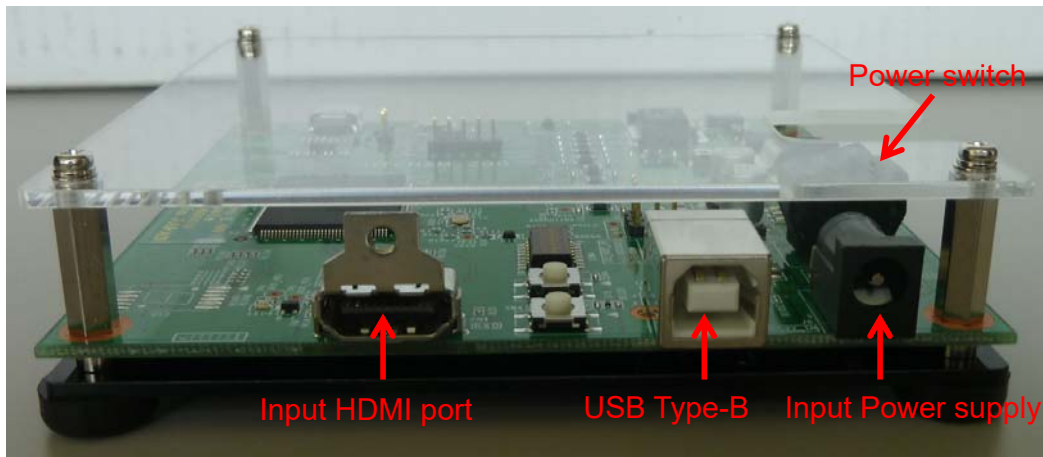


### ■ Connection Example



## ■ Back side of UTCHAM-200

Back side of UTCHAM-200 have HDMI port and USB Type-B port and Power Supply port.



## ■ Front side of UTCHAM-200

Front side of UTCHAM-200 have USB Type-C port.



## ■ About Input / Output Description

USB Type-C	Output HDMI Alt Mode on USB Type-C signal
HDMI	Input HDMI signal
USB Type-B	Input USB control from PC for HDMI signal
Power	Input power supply DC 6V to 9V at 2A (Attached AC Adapter)

Products and specifications are subject to change without notice.  
Please ask for the latest Product Information.

Format Verification Laboratory, Appliances Company,  
Panasonic Corporation  
1-10-12 Yagumo-higashi-machi, Moriguchi City, Osaka, Japan  
Email: fvl-info@ml.jp.panasonic.com  
Tel: +81-6-6905-5422 Fax: +81-6-6909-5027  
[https://panasonic.biz/appliance/he/fvl/en/hdmi/testtool\\_hdmi.html](https://panasonic.biz/appliance/he/fvl/en/hdmi/testtool_hdmi.html)